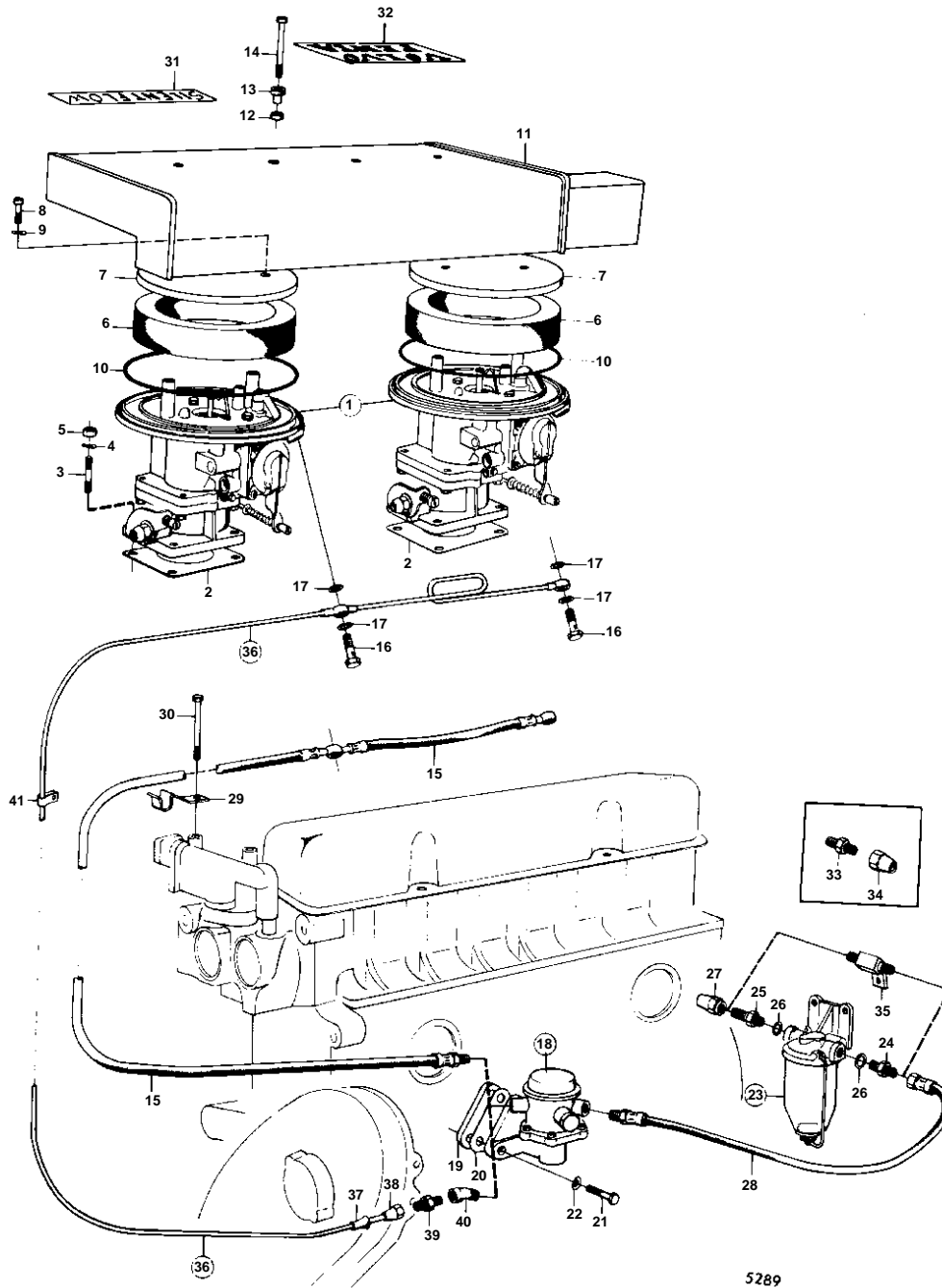


BB115B



BB115B

REF	PART NO.	QTY	DESCRIPTION	SEE SEC.	NOTES
1		2	Carburetor		
				12824	
				12824	
2	824677	2	Gasket		
3		8	Stud		
4	941907	8	Spring washer		
5	955834	8	Hexagon nut		
6	824663	2	Flame shield		
7	824699	2	Cardboard tube		
8	950046	4	Cross recessed screw		
9	941906	4	Spring washer		
10	824832	2	Gasket		
11		1	Flame trap		
12	824834	4	Bushing		
13	824830	4	Spacer sleeve		
14	950048	4	Cross recessed screw		
15		1	HOSE		REPLACES EARLIER BUSHING, RETAINER AND THRUST WASHER
16	824711	2	Hollow screw		
17	834452	4	Gasket		
18	831092	1	Fuel pump		
				12820	
19	460678	1	Spacer		
20	61830	2	Gasket		
21		2	Screw		
22	941907	2	Spring washer		
23		1	Fuel filter		EARLY TYPE
				12808	
24		1	Nipple		EARLY TYPE
25	191397	1	Nipple		EARLY TYPE
26	957176	2	Gasket		EARLY TYPE
27	954322	1	Fitting nut		
28	813007	1	Fuel hose		
29		1	Clamp		
30	955528	1	Hexagon screw		SEE GROUP 2B
31		1	SIGN		
32		1	Decal		
35		1	Joint nipple		LATE TYPE
41	833971	1	Water separator	12810	
		1	CONNECTING COMPS FUEL FILTER - FUEL TANK		SEE GROUP 9